

BALDOR® • RELIANCE

Product Information Packet

GALCO INDUSTR ELEC

IDDRPM25754

75HP,1740RPM,3PH,N/AHZ,2570,DPG-FV,

| Part Detail | | | | | | | |
|-------------|--------|----------------|-------|-------------|--------|---------------|------------|
| Revision: | - | Status: | PRD/A | Change #: | | Proprietary: | No |
| Type: | AC | Prod. Type: | | Elec. Spec: | L0122A | CD Diagram: | 422927-001 |
| Enclosure: | DPFV | Mfg Plant: | | Mech. Spec: | | Layout: | 617214-001 |
| Frame: | RL2570 | Mounting: | F1 | Poles: | 04 | Created Date: | 04-10-2015 |
| Base: | | Rotation: | R | Insulation: | H | Eff. Date: | 04-13-2015 |
| Leads: | | | | | | Replaced By: | |
| Literature: | | Elec. Diagram: | | | | | |

| Nameplate 000613006NN | | | | | | | | | | | | |
|-----------------------|-------------|-----------------------|--------------|--------------|-------|------------------|---|--|--|--|--|--|
| | DUTY | HP | RPM | AMPS | VOLTS | HZ | | | | | | |
| | CONT | 75 | 1740 | 95 | 460 | 60 | | | | | | |
| | CONT | 75 | 2000 | 95 | 460 | 69 | | | | | | |
| | | | | | | | | | | | | |
| CAT.NO. | IDDRPM25754 | SPEC. NO. | P25R0209 | | | | | | | | | |
| SER.NO | | FR | RL 2570 | INSUL | H | | | | | | | |
| PH. | 3 | MAX SAFE SPEED | 5000 | AMB. | 40 | MIN. AMB. | 0 | | | | | |
| DESIGN NO. | L0122A | TYPE | | ENCL. | DP | | | | | | | |
| S.F. | 1.00 | D.E. BRG. | 65BC03JPP30A | | | | | | | | | |
| ENCL MOD | FORCE VENT | O.D.E. BRG. | 50BC03JPP30A | | | | | | | | | |
| | | | | | | | | | | | | |

| Parts List | | |
|--------------|-------------------------------|----------|
| Part Number | Description | Quantity |
| WS286727 | WS P25R0209 | 1.000 EA |
| RA282935 | RA P25R0209 | 1.000 EA |
| 000613006NN | RPM AC WITH CERTIFIED LOGOS | 1.000 EA |
| 000692000FP | NP, WARNING LIFT INSTRUCTIONS | 1.000 EA |
| 000692000VD | LABEL WARNING | 1.000 EA |
| 036170004EA | ROUND HEAD DRIVE SCREW | 4.000 EA |
| 422927001 | C/D LABEL | 1.000 EA |
| 036100080KA | M10-1.50X 80MM HXSOCHDCS | 3.000 EA |
| 036140001C | EYEBOLT - 400 | 2.000 EA |
| 036500010AB | METRIC NUT M10-1.5PLTD400 | 4.000 EA |
| 036500010AB | METRIC NUT M10-1.5PLTD400 | 4.000 EA |
| 400638001H | SPRING WASHER | 1.000 EA |
| 602018077A | DRAIN,DE BRKT | 1.000 EA |
| 602018077A | DRAIN,DE BRKT | 1.000 EA |
| 609830005ACH | STUD FRAME .375X13 LG | 4.000 EA |
| 807528202EAE | BRKT,DE,RL250,DPFV | 1.000 EA |
| 807528203CCB | BRKT,ODE,RL250,DPFV | 1.000 EA |
| 000613006NT | NAME PLATE IEC | 1.000 EA |
| 032018004AK | HHCS 1/4-20X1/2 PLATED | 2.000 EA |
| 032018004DK | HHCS,DRIP COVER | 4.000 EA |
| 032018008CK | HHCS 3/8-16X1L PLATED | 4.000 EA |
| 034017014AB | LCKW 3/8 STD. PLATED | 4.000 EA |
| 036000012JB | M8-1.25 X 12MM HXHDC | 3.000 EA |
| 036000012JB | M8-1.25 X 12MM HXHDC | 4.000 EA |

| Parts List (continued) | | |
|------------------------|------------------------------------------|----------|
| Part Number | Description | Quantity |
| 036000020HB | HHCS M6-1.0X20MM PLATED | 4.000 EA |
| 036000020HB | HHCS M6-1.0X20MM PLATED | 8.000 EA |
| 036321020HB | HEXSOCKET FLAT SCREW M | 4.000 EA |
| 036600009AB | METRIC FLWASH M8 PLATED | 3.000 EA |
| 036620008AB | M6 METRIC EXT LOCKWASHER | 1.000 EA |
| 065591000B | GASK 250-280 | 1.000 EA |
| 075454001AJ | C/BOX, PAINTED 250-280 | 1.000 EA |
| 075455000A | CBOXC, PAINTED 250-280 | 1.000 EA |
| 410978010C | FLANGE, INLET BLOWER HSG. | 1.000 EA |
| 410978019A | SCREEN, INLET FLANGE | 1.000 EA |
| 415000103A | T/LUG #14AWG-#4AWG W/HOLE FOR .250 BOLT | 1.000 EA |
| 417733004T | GASKET CONDUIT BOX | 2.000 EA |
| 418018074A | GROUND LABEL G100 METRIC 160 D.C. | 1.000 EA |
| 422919352 | CVRKT BE RL250 | 1.000 EA |
| 422919352 | CVRKT BE RL250 | 1.000 EA |
| 609843001AG | GASKET HANDHOLD COVER | 1.000 EA |
| 610409128A | ADAPTER, BLOWER | 1.000 EA |
| 610490001AH | .75HP,3450//2850RPM,3PH,60//50HZ,56C,351 | 1.000 EA |
| 611917002A | GASKT | 1.000 EA |
| 611965001A | WHEEL, BLOWER | 1.000 EA |
| 706305301A | GUARD, SHAFT | 1.000 EA |
| 708528004G | HOUSING, BLOWER | 1.000 EA |
| 000640000P | TAG WINDING THERMOST | 1.000 EA |
| 004824007K | SPECIAL PAINT | 0.100 EA |

| | | |
|-------------|-----------------|----------|
| 034180024GA | KEY 1/2X1/2X3 L | 1.000 EA |
| 418018116 | WARNING PLATE | 1.000 EA |

| | | | | | | |
|-------------|--------|--------------|------|---------------------------------------|-----------|------------------------------------------------------------|
| REL. S. O. | - | VOLTS | 460 | ENCLOSURE | DPFV | WYE CONN EQ CKT OHMS PER. PHASE (AT BASE RATING, 25 °C) |
| FRAME | RL2570 | AMPS | 91.8 | MAX SAFE RPM | 5000 | |
| HP | 75 | DUTY | CONT | IM (AMPS) | 27.45 | R1 .0803 X1 .437 |
| BASE SPEED | 1740 | S.F. | 1.0 | P.F. @NL/FL | .063/.866 | R2 .0604 X2 .394 |
| PHASE/HERTZ | 3/60 | AMB °C/INSUL | 40/H | WK ² (LB-FT ²) | 3.84 | X3 9.92 |


RATED FULL LOAD DATA

| | RPM | HP | TORQUE LB-FT | FUND VOLTS | FREQ-HZ | AMPS |
|------------|------|------|-----------------|---------------|---------|------|
| BASE SPEED | 1742 | 75.0 | 226 | 460 | 60 | 92.2 |
| MAX SPEED | 2002 | 75.0 | 197 | 460 | 69 | 91.5 |
| MIN SPEED | 0 | 0 | 226 | 24.0 | 1.93 | 92.2 |

LOAD PERFORMANCE AT BASE SPEED

| | RPM | HP | TORQUE LB-FT | FUND VOLTS | FREQ-HZ | AMPS |
|-----------|------|------|-----------------|---------------|---------|------|
| NO LOAD | 1800 | 0 | 0 | 460 | 60 | 27.0 |
| 1/4 | 1787 | 18.8 | 55 | 460 | 60 | 34.7 |
| 1/2 | 1774 | 37.6 | 111 | 460 | 60 | 50.3 |
| 3/4 | 1759 | 56.2 | 168 | 460 | 60 | 69.7 |
| FULL LOAD | 1742 | 75.0 | 226 | 460 | 60 | 92.2 |
| O/L | 1685 | 117 | 364 | 460 | 60 | 159 |

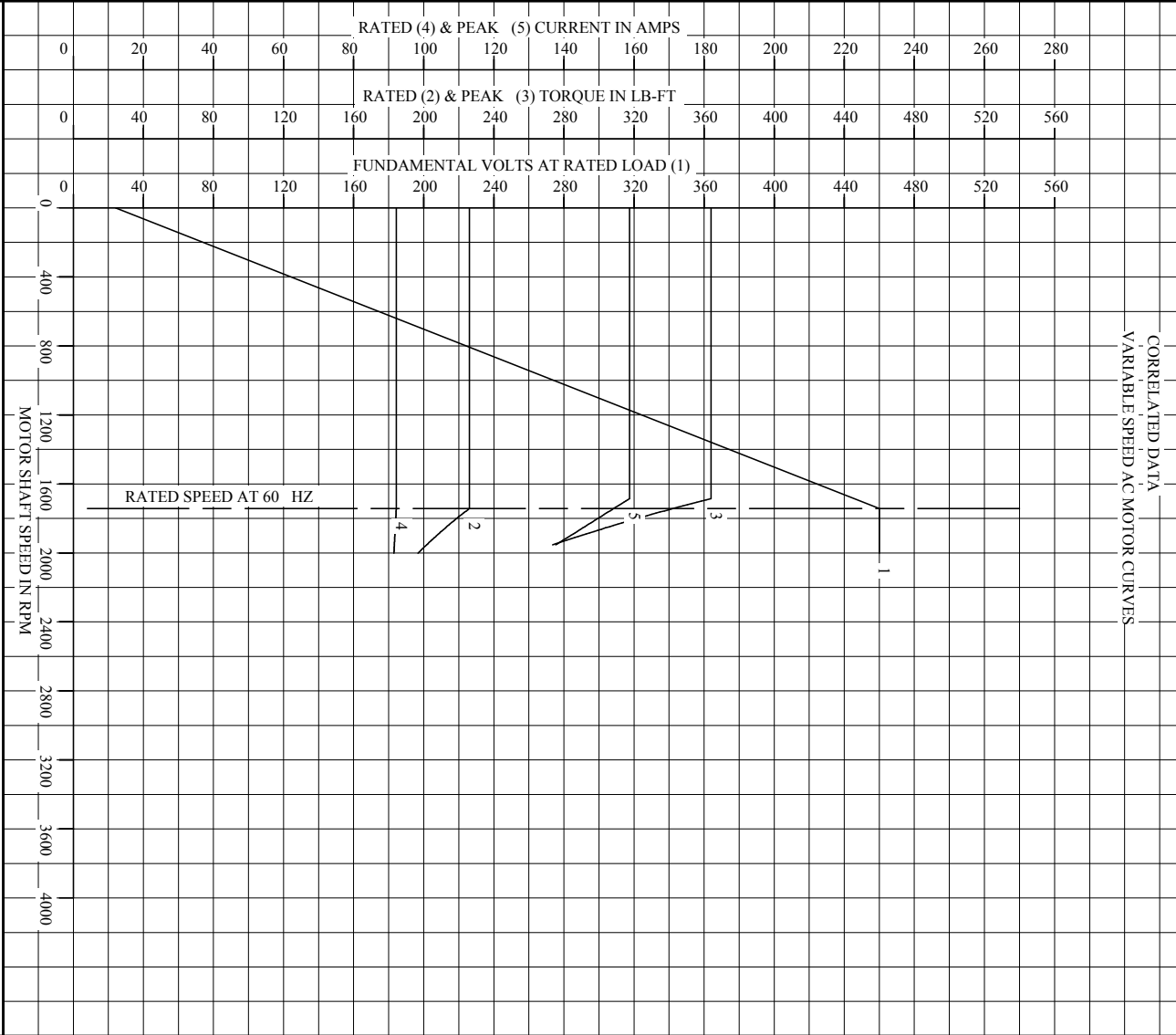
REMARKS: CORRELATED DATA

| | | | |
|---------------------------------------------------------------------------------------------------------------------------|---------|-----------|---------------------------------------------------------------------------|
|  <p>A MEMBER OF THE ABB GROUP</p> | DR. BY | J. MARTIN | <p>A-C MOTOR PERFORMANCE DATA</p> <p>ISSUE DATE 3-7-05</p> |
| | CK. BY | J. MARTIN | |
| | APP. BY | T. EVON | |
| DATE | | 3-7-05 | |

C/R 393520

Printed on 1/16/12 10:32 @ r99

| | | | | | | |
|-------------|--------|-------------|------|---------------------------|-----------|-----------------------------------------------------------|
| REL. S.O. | - | VOLTS | 460 | ENCLOSURE | DPFV | WYE CONN EQ CKT OHMS PER PHASE (AT BASE RATING, 25 °C) |
| FRAME | RL2570 | AMPS | 91.8 | MAX SAFE RPM | 5000 | X1 .437 |
| HP | 75 | DUTY | CONT | IM (AMPS) | 27.45 | X2 .394 |
| BASE SPEED | 1740 | S.F. | 1.0 | P.F. @NL/FL | .063/.866 | X3 9.92 |
| PHASE/HERTZ | 3/60 | AMB C/INSUL | 40/H | Wk ² (LD-Fl 2) | 3.84 | |



BALDOR
A MEMBER OF THE ABB GROUP

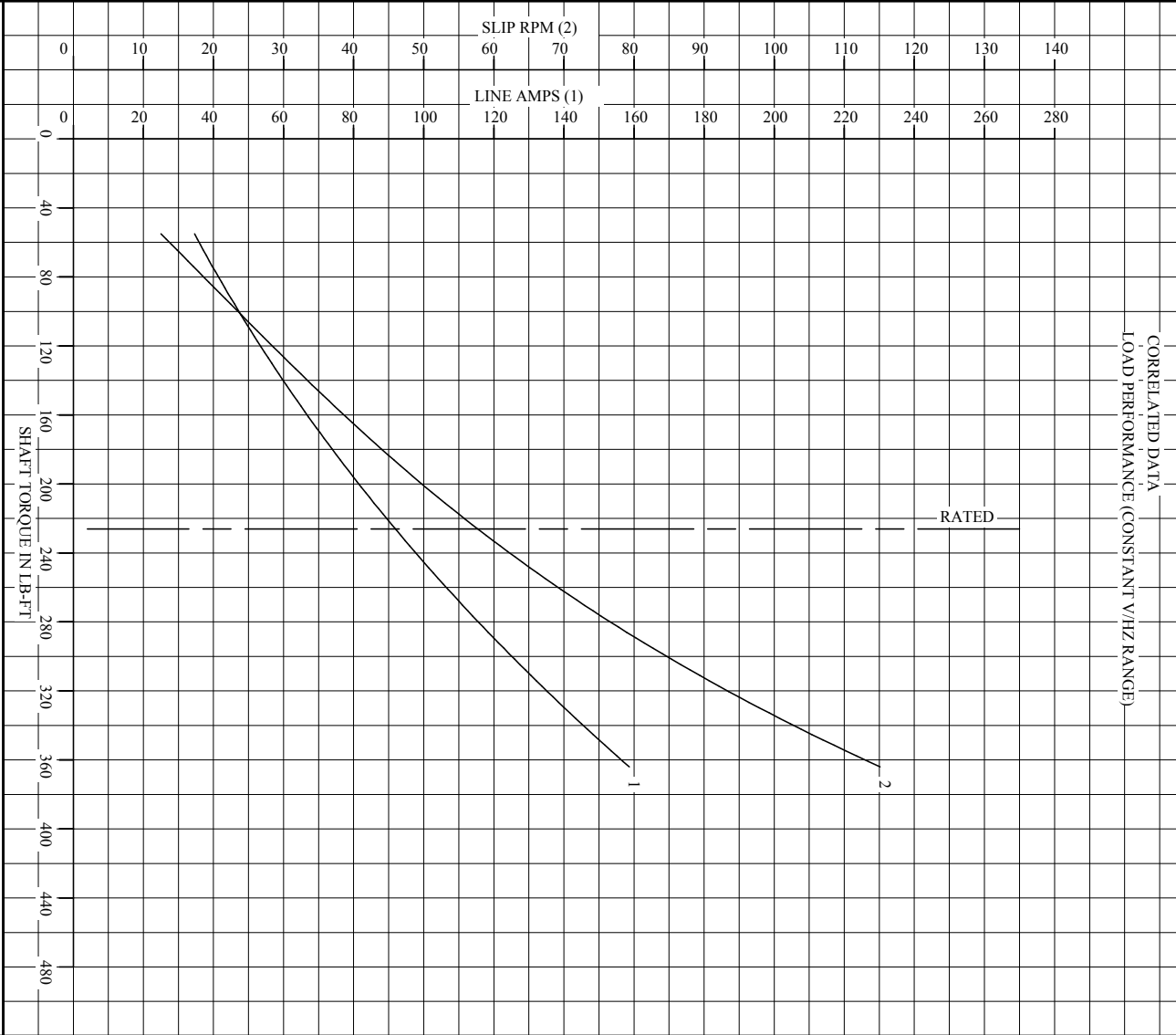
DR. BY J. MARTIN
CK. BY J. MARTIN
APP. BY T. EVON
DATE 3-7-05

A-C MOTOR PERFORMANCE CURVES


L0122A
SH 1 OF 2
ISSUE DATE 3-7-05

C/R 393520

| | | | | | | |
|-------------|--------|-------------|------|---------------------------|-----------|-----------------------------------------------------------|
| REL. S. O. | - | VOLTS | 460 | ENCLOSURE | DPFV | WYE CONN EQ CKT OHMS PER PHASE (AT BASE RATING, 25 °C) |
| FRAME | RL2570 | AMPS | 91.8 | MAX SAFE RPM | 5000 | R1 .0803 |
| HP | 75 | DUTY | CONT | IM (AMPS) | 27.45 | X1 .437 |
| BASE SPEED | 1740 | S.F. | 1.0 | P.F. @NL/FL | .063/.866 | R2 .0604 |
| PHASE/HERTZ | 3/60 | AMB C/INSUL | 40/H | WK ² (LD-FL 2) | 3.84 | X2 .394 |
| | | | | | | X3 9.92 |



REMARKS: DATA VALID FOR NAMEPLATE SPEED RANGE ONLY



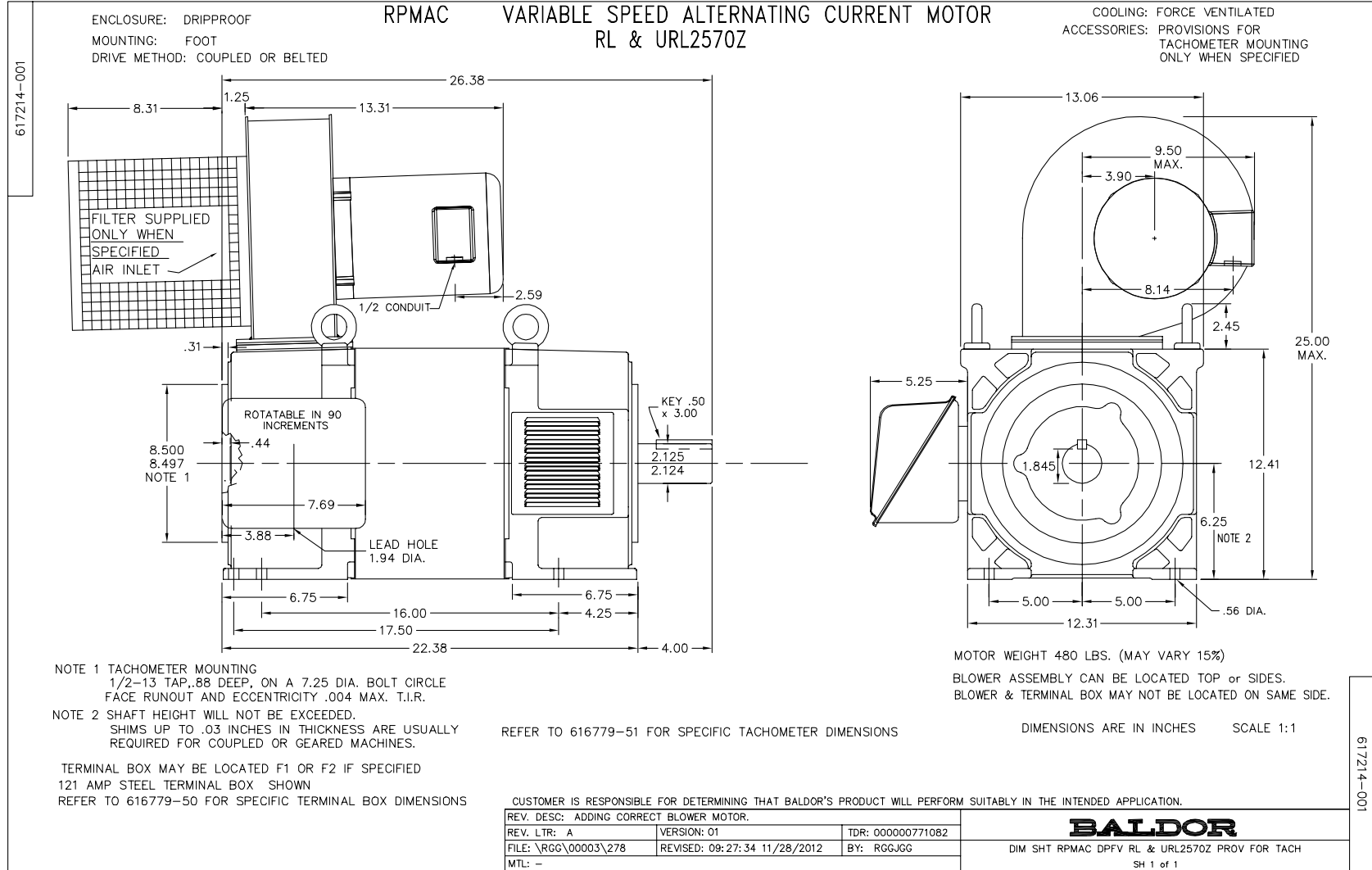
BALDOR
A MEMBER OF THE ABB GROUP

DR. BY J. MARIN
CK. BY J. MARIN
APP. BY T. EVON
DATE 3-7-05

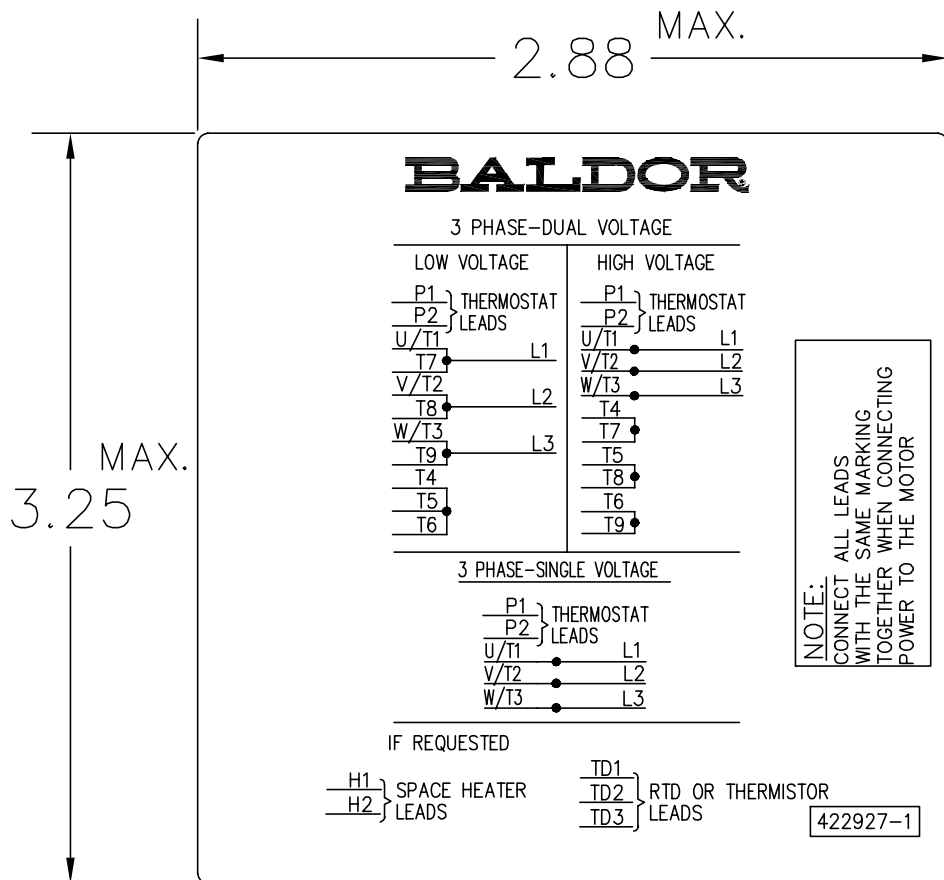
**A-C MOTOR
PERFORMANCE
CURVES**

L0122A
SH 2 OF 2
ISSUE DATE 3-7-05

C/R 393520



422927-001



NOTE:
DATA TO BE SIZED
SO THAT IT FITS INTO
MATERIAL DECAL
DIMENSIONS. MAKE
LETTERS & NUMBERS
AS LARGE AS POSSIBLE.

MATERIAL: CERAMATIC DGF-P4
PERMA GRIP ADHESIVE

ALL LETTERS, NUMBERS
AND LINES TO BE BLACK
ON WHITE BACKGROUND.

NOTE:
CONNECT ALL LEADS
WITH THE SAME MARKING
TOGETHER WHEN CONNECTING
POWER TO THE MOTOR

422927-001

| | | |
|-------------------------------------------------------|------------------------------|-------------------|
| REV. DESC: CHANGE BACKGROUND COLOR FROM GOLD TO WHITE | | |
| REV. LTR: B | VERSION: 02 | TDR: 000000788708 |
| FILE: \RGG\00000\203 | REVISED: 08:09:29 03/04/2013 | |
| MTL: - | BY: RGGWT | |

BALDOR

EXTERNAL CONNECTION LABEL

SH 1 of 1

Marketing maintained PDF of MN406:

<http://www.baldor.com/support/Literature/Load.ashx/MN406?ManNumber=MN406>